



PERFECT SCORE TECHNOLOGIES

4012 Bronze Way
 Phone (214) 331-0002
 Email: info@pstmfg.com

Dallas, Texas 75237
 Fax (214) 331-0013
 Web: <http://www.pstmfg.com>

Vacuum Cup Frames

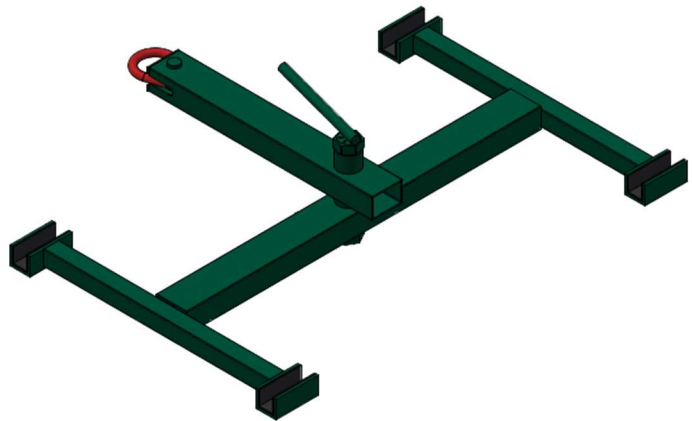
Model: VCF

The Steel Rotating Hand Cup Lifting Frames offer an economical way to enhance your lifting capabilities, providing an ideal solution for moving glass efficiently in warehouses or on job sites where rotation is essential. Designed to work with a crane, hoist, or forklift, this lifting frame ensures safe and effective handling.

Design Features:

- Made from welded steel for strength and durability.
- Robust yet compact, suitable for various applications.
- Compatible with Woods Power-Grip & PST Gorilla Grip Hand Vacuum Cups.
- Ensures safe and efficient handling of heavy glass.
- Allows 180-degree edgewise rotation with three locking positions for secure load handling.

4 and 6 Cup Frame Options
 Model: VCF-4 / VCF-6



4 Cup Frame Specifications:

Model: VCF-4 (Rotating Cup Frame)

- Frame Size: 36" x 24" (915 x 610 mm)
- Lifting Capacity: 500 lbs. (227 kg) (4 X 125 LB Cups)
- Type: Rotating Hand Cup
- Minimum Glass Size: 46" x 34" (1168 mm x 863 mm)

6 Cup Frame Specifications:

Model: VCF-6 (Rotating Cup Frame)

- Frame Size: 60" x 24" (1.52 m x 610 mm)
- Lifting Capacity: 700 lbs. (318 kg) (6 X 125 LB Cups)
- Type: Rotating Hand Cup
- Minimum Glass Size: 70" x 38" (1778 mm x 965 mm)

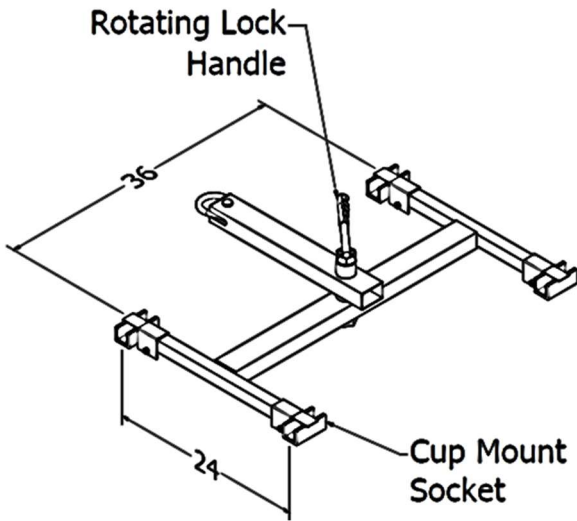
| MODEL # | ROTATING VACUUM CUP FRAMES | |
|---------|----------------------------|---------|
| | DESCRIPTION | PRICE |
| VCF-4 | 4 CUP FRAME - ROTATING | 950.00 |
| VCF-6 | 6 CUP FRAME - ROTATING | 1125.00 |

| MODEL # | ROTATING & TILTING VACUUM CUP FRAMES | |
|---------|--------------------------------------|---------|
| | DESCRIPTION | PRICE |
| VCF-4T | 4 CUP FRAME - ROTATING & TILTING | 1075.00 |
| VCF-6T | 6 CUP FRAME - ROTATING & TILTING | 1250.00 |

Vacuum Cup Frames – Rotating

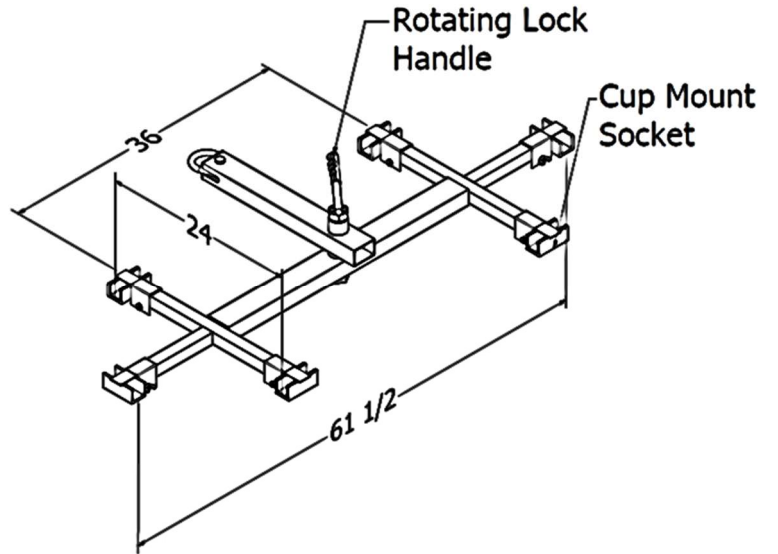
- Do not exceed max lifting capacity
- User should pretest cup performance periodically
- Wear or damage to vacuum cup reduces actual capability

Model: VCF-4

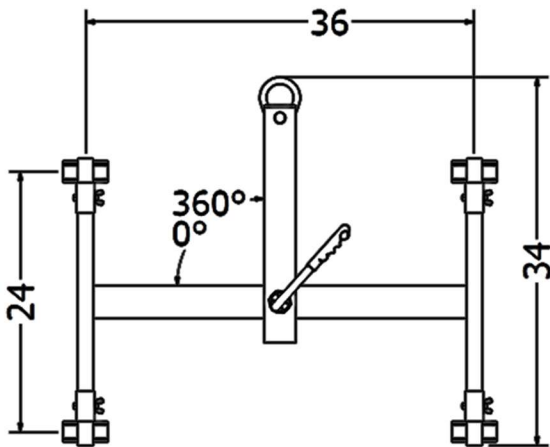


VFC-4 (3D view)

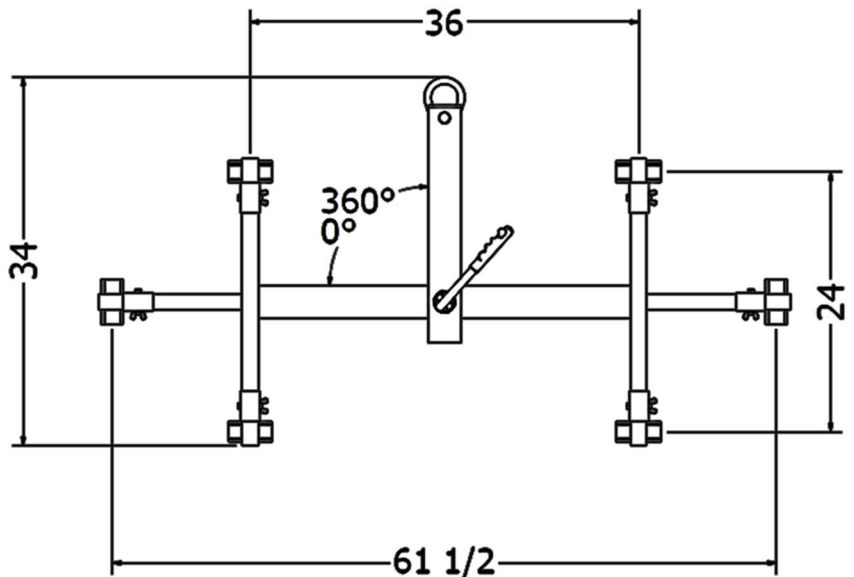
Model: VCF-6



VFC-6 (3D view)



VFC-4 (Top view)

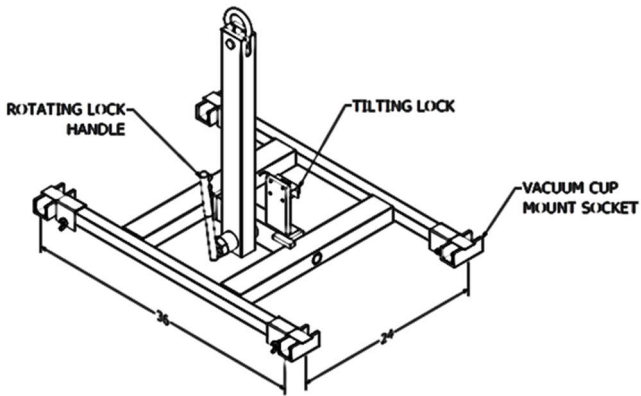


VFC-6 (Top view)

Vacuum Cup Frames - Rotating + Tilting

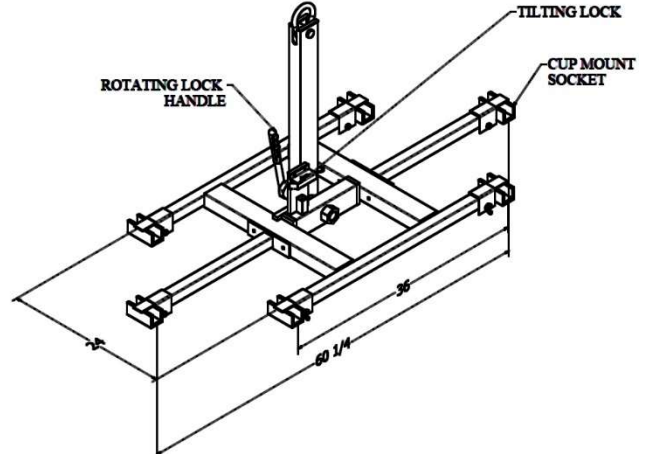
- Do not exceed max lifting capacity
- User should pretest cup performance periodically
- Wear or damage to vacuum cup reduces actual capability

Model: VCF-4T

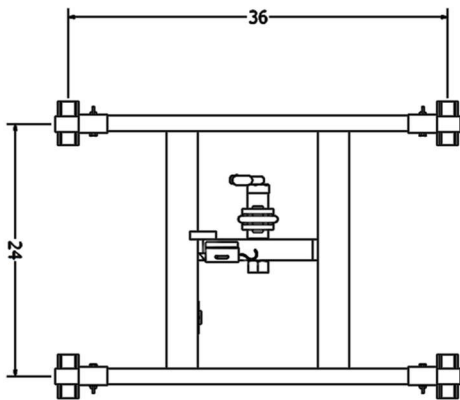


VFC-4T (3D view)

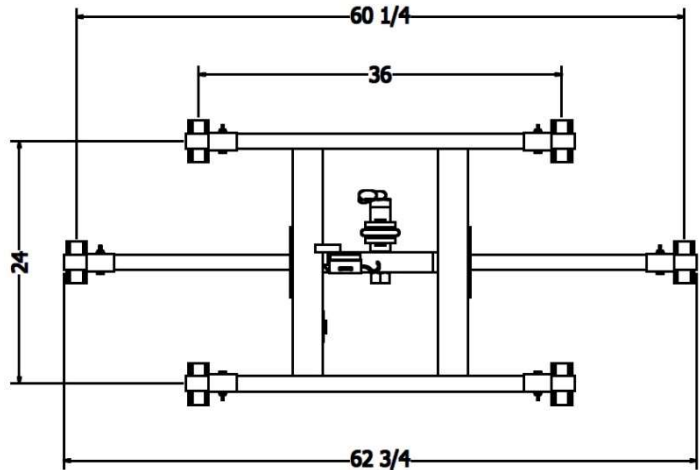
Model: VCF-6T



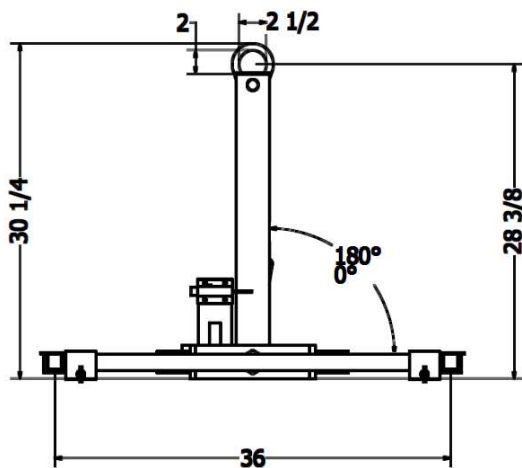
VFC-6T (3D view)



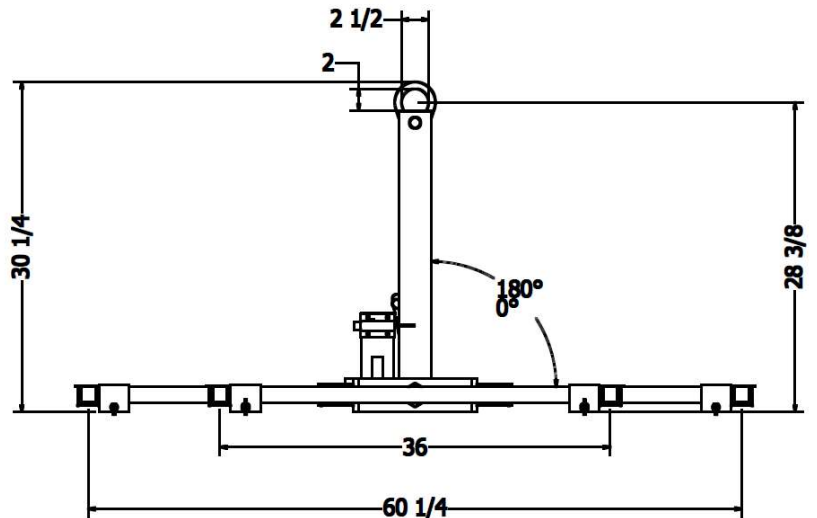
VFC-4T - (Top view)



VFC-6T - (Top view)



VFC-4T - (Side view tilted in UP position)



VFC-6T - (Side view tilted in UP position)